



Acme Sanitary Ware Co Ltd

Acme Building, 22-28 Nanking Street, Kowloon, Hong Kong
Tel: 2388 7171 Fax: 2710 8012
E-mail: acme@acmesanitary.com.hk
Website: www.acmesanitaryware.com.hk



Pure Freude
an Wasser

PROJECT		REF		REV	ITEM CODE	
LOCATION		DATE			PAGE	

SANITARY WARE SPECIFICATION SHEET

Item Descriptions	GROHE (Germany) "Eurocube" Wall mounted chrome plated 2-hole basin mixer with concealed body (projection 171 mm)
Dimensions	L171 x W110 x H68 mm
Model	19895000 (Basin mixer) 23200000 (Concealed body)
Finish	Chrome Plated
Country of origin	Germany
Manufacturer	GROHE Limited
Supplier	Acme Sanitary Ware Co. Ltd Mr. Eric Wong/ Mr. Don Yuen
Contact Tel/Fax	(852) 2388-7171 / (852) 2710-8012
E-mail	acme@acmesanitary.com.hk
Website	www.acmesanitary.com.hk

Illustration/ Drawing

<p>"Eurocube" 2-hole basin mixer S-Size</p> <ul style="list-style-type: none"> · wall mounted · set for final installation for 23 200 000 · without concealed body · metal escutcheon · metal lever · GROHE StarLight chrome finish · GROHE AquaGuide adjustable mousseur · centre distance 110 mm · projection 171 mm

<p>Single-lever mixer 1/2", concealed body</p> <ul style="list-style-type: none"> · for 2 hole basin mixer · wall installation · without finishing trim set · GROHE SilkMove 35 mm ceramic cartridge · adjustable flow rate limiter · installation depth 45 to 75 mm · DR-brass · installation device



Note:

* All information of the above is for the reference only. No prior notice is made if any changes.



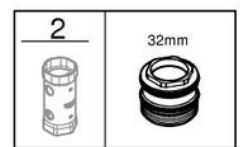
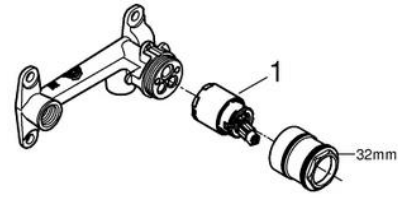
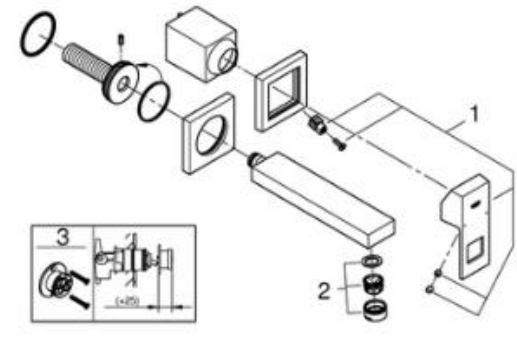
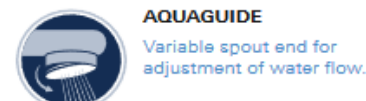
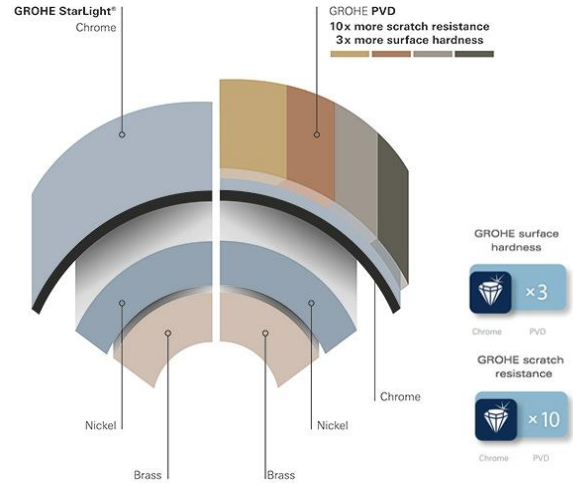
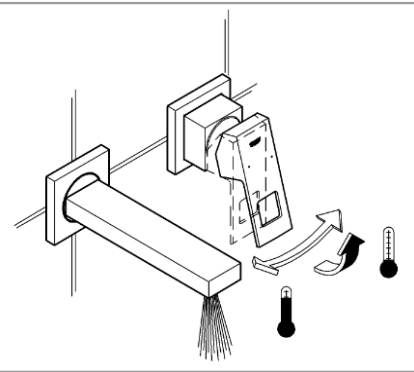
PROJECT		REF		REV	ITEM CODE	
LOCATION		DATE			PAGE	

SANITARY WARE SPECIFICATION SHEET

GROHE EUROCUBE

MAKE A CLEAR STATEMENT

Straightforward, attractive and always focused on the essential. Cosmopolitan life in the teeming city becomes a bit more manageable if you are surrounded by straight lines. The overarching concept of GROHE Eurocube evokes the dynamic lifestyle of busy people and celebrates the dramatic beauty of the cube. Enjoy a bit of clarity.



Pos.-nr.	Prod. description	Order-nr.
1	Lever	46802000
2	Flow straightener	64451000
3	Extension	46627000*

* Optional accessories

Pos.-nr.	Prod. description	Order-nr.
1	Cartridge	46374000
2	Socket spanner	19332000*

* Optional accessories

Note:

* All information of the above is for the reference only. No prior notice is made if any changes.